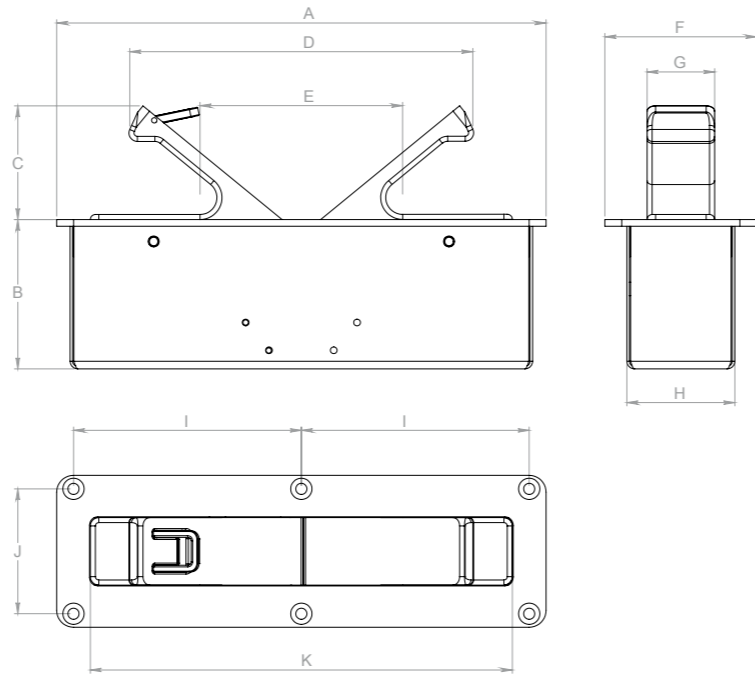
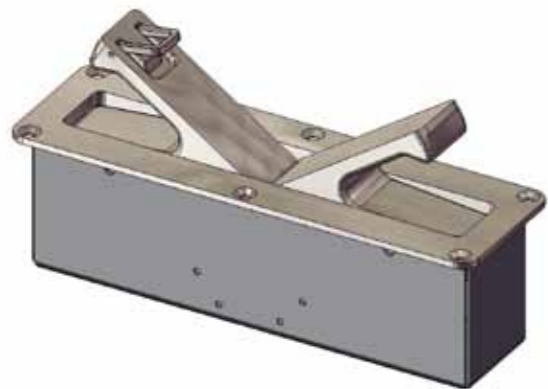


SEAGULL



BITTA SEAGULL | SEAGULL BITT

CODICE CODE	DESCRIZIONE DESCRIPTION	A	B	C	D	E	F	G	H	I	J	K
0000-999-SG2500*	BITTA SEAGULL SEAGULL BITT	290	88.5	67	203	120	90	40	64	135	74	250

* Bitta Piatta
* Flat bit

Bitta costituita da tre elementi meccanici, semplice, senza manutenzione.
Made by three mechanical elements (with an incorporated lock/release function).
When not in use it folds into a special recess in the walkway. No maintenance required.

BITTE



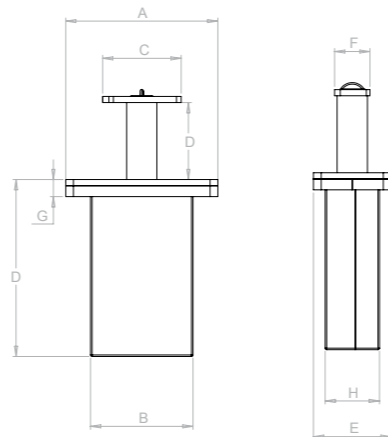
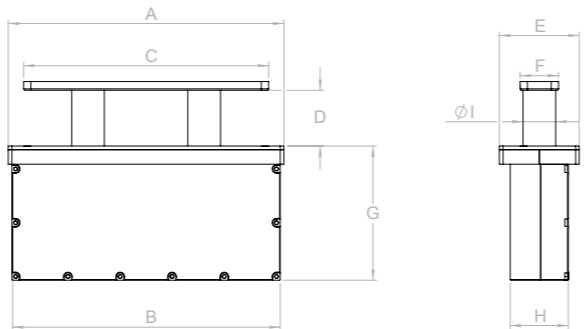
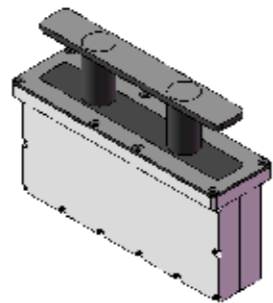
Officine
MARCO POGGIPOLINI
marine division

Officine **MARCO POGGIPOLINI S.r.l.**
Via Emilia 292 - 40068 San Lazzaro di Savena (BO) - Italy
Tel: +39 051.19980373 - Fax: +39 051.19980910
www.marcopoggipolini.com - officine@marcopoggipolini.com

FLAT

BITTA A SCOMPARSA <i>FOLDING BITT</i>										
CODICE <i>CODE</i>	DESCRIZIONE <i>DESCRIPTION</i>	A	B	C	D	E	F	G	H	I
0000-999-999005	BITTA A SCOMPARSA DA 400 <i>400 FOLDING BITT</i>	380	370	350	80	110	50	185	80	45
0000-999-999006	BITTA A SCOMPARSA DA 250 <i>250 FOLDING BITT</i>	255	230	200	70	80	40	175	70	35
0000-999-999007	BITTA A SCOMPARSA DA 100 <i>100 FOLDING BITT</i>	85	65	45	55	50	23	95	35	

Bitta con movimento verticale gestito da pistoni a gas. Ha scatola in alluminio.
Foldaway bitt with an essential design, vertical movement by gas pistons. Aluminum box.



GRILL

BITTA GRILL 100 <i>100 GRILL BITT</i>								
CODICE <i>CODE</i>	DESCRIZIONE <i>DESCRIPTION</i>	A	B	C	D	E	F	G
0000-999-000006	BITTA GRILL 100 <i>100 GRILL BITT</i>	150	76	93	56	50	58	46

Bitta realizzata in unica misura per fissaggio parabordi, tender, di facile aggancio per moshettoni e piccole cime.
Mooring bitt for tender, fender, easy snap shackles docking, one size only.

